



# RADIATION SERVICES AUSTRALIA

*Radiation Screens  
Product Data Sheet*

## FOR MORE INFORMATION

### About Us

Incorporating Radiation Services Australia (RSA) and Radiation Services Consulting (RSC). Radiation Services Group has provided radiation shielding design and supply throughout Australia, New Zealand and South-East Asia for over 30 years.

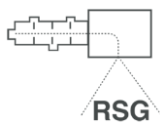
For further information regarding Mobile/Fixed Radiation Screens or other Radiation Shielding Products please contact Radiation Services Group.

### Contact Us

Phone: +61 2 9838 9591

Email: [info@radiationservices.net](mailto:info@radiationservices.net)

Web: [www.radiationservices.net](http://www.radiationservices.net)



**RADIATION SERVICES  
AUSTRALIA**

PO Box 504

Seven Hills NSW 1730



*Mobile Radiation Screen powder coated legs.*

### Radiation Screen Care Guidelines

- For glass cleaning we recommend water with a mild detergent solution accompanied by a squeegee with a soft rubber blade.
- No ammonia-based cleaning products are to be used on the glass or film. Aerosol glass cleaners are permitted.
- Do not use abrasive cloths, brushes or powders on the glass or safety film.
- Do not apply sticky tape/adhesives, stickers or suction cup accessories to the glass or safety film.
- The screen body can be cleaned using a damp cloth along with a mild detergent solution. Ensure the surface is dry once cleaned.

# ABOUT

## Product Description

Lead lined pre-fabricated mobile or fixed Radiation Screen with Lead Equivalent Glass viewing panel. Easy to clean laminate skin with clear anodized Aluminium trim to protect the screen and prevent pre-mature wear.

---

*Pre-fabricated mobile & fixed radiation screen solutions.*

---

## Customisable Screen Options

Radiation Screens Supplied by Radiation Services Australia can be custom made to suit any specified screen and glass dimensions, as well as lead rating.

Screens are 'Ocean Blue' finish as standard but can be supplied in various colour options.

## Fixed Radiation Screens

Fixed Radiation Screens are supplied with additional clear anodized aluminium trim angle to direct fix the screen to the floor and/or wall where applicable.



*Mobile Radiation Screen castor with total lock brake function.*

## Mobile Radiation Screens

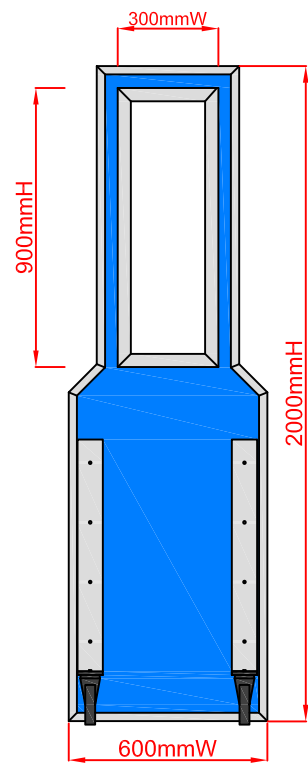
Mobile Radiation Screens are fitted with castors with total lock brake function. Ensure wheels are locked when screen is in position or when not in use.

# STANDARD MOBILE SCREEN TYPES

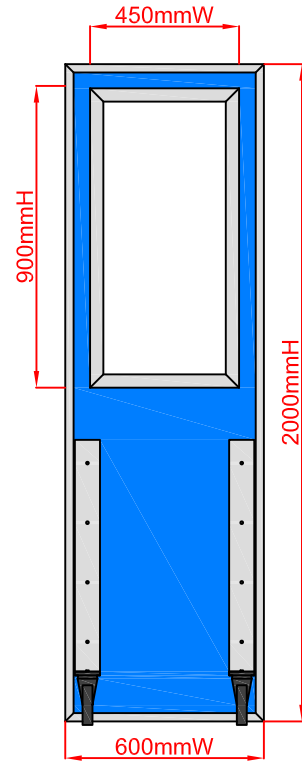
Screen Type	Lead Weight	Screen Dimensions
Type 1	25kg.m <sup>2</sup> (2.2mm)	Screen size 600mmW x 2000mmH. Viewing Panel 300mmW x 900mmH
Type 2	25kg.m <sup>2</sup> (2.2mm)	Screen size 600mmW x 2000mmH. Viewing Panel 450mmW x 900mmH
Type 3	25kg.m <sup>2</sup> (2.2mm)	Screen size 1200mmW x 2000mmH. Viewing Panel 1000mmW x 500mmH
Type 4	25kg.m <sup>2</sup> (2.2mm)	Screen size 1200mmW x 2000mmH. Viewing Panel 1000mmW x 1000mmH

# STANDARD RADIATION SCREENS DIMENSIONS

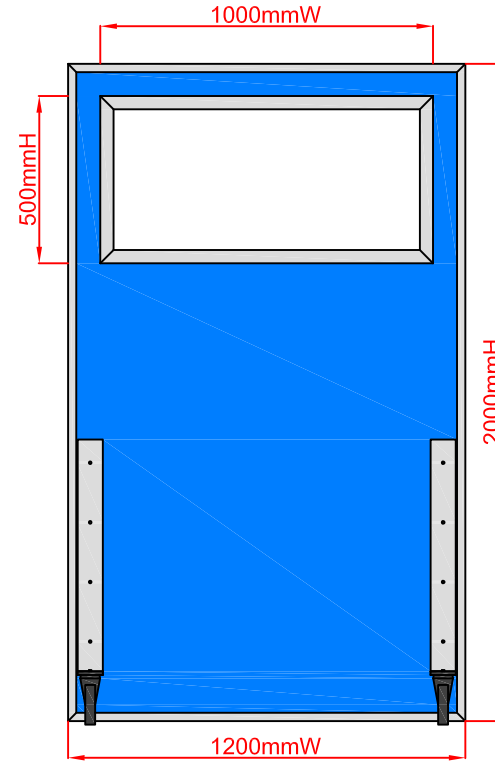
Below is the standard range of Mobile Radiation Screens supplied by Radiation Services Australia. Custom screen and viewing panel dimensions are also available.



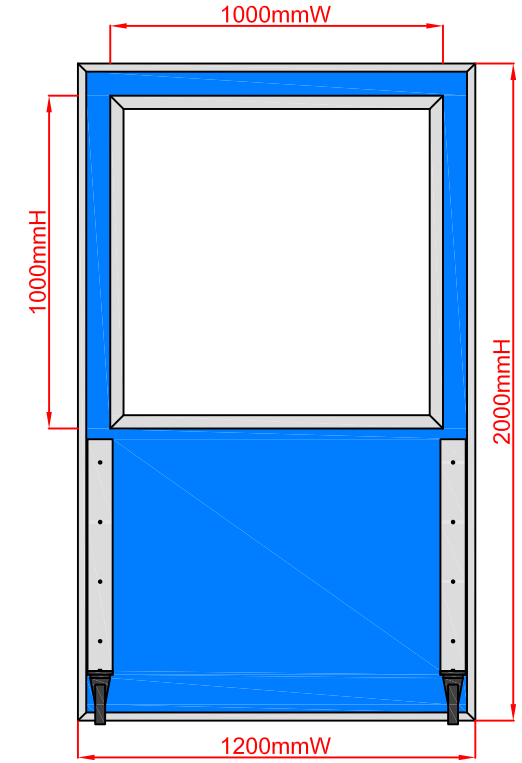
TYPE 1



TYPE 2



TYPE 3



TYPE 4